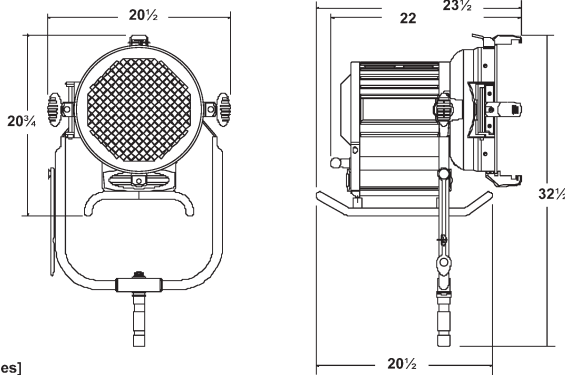




PAR 4/2.5kW Daylight Par

- ❑ Specifically designed lenses and reflectors, giving superior optical performance
- ❑ Improved light quality and output - significantly brighter
- ❑ High quality, rugged, durable
- ❑ Corrosion resistant for longer life
- ❑ Compatibility of parts throughout the range
- ❑ A comprehensive selection of accessories, interchangeable with existing Quartzcolor products
- ❑ Easy to service and maintain
- ❑ Scratch resistant black non-reflective housing
- ❑ ON-OFF buttons, operated from both head and ballast
- ❑ Bonding eyes and rigging hooks
- ❑ Quick release lamp holder
- ❑ Performance lenses mounted in color coded frames
- ❑ Complete head supplied with barndoor, a set of 5 lenses in case, and head to ballast cable
- ❑ Meets all relevant international standards and regulations



[inches]

Weights and dimensions

| | | | |
|------------------------------------|----------------|-------------------------|---------|
| Lens diameter | | 13 3/4" | |
| Accessory diameter | | 16" | |
| Filter cut size | | 14 1/2" x 14 1/2" | |
| Weight (head + yoke + skid) | | 34 lbs | |
| Packed weight | | 105 lb | |
| Packed volume | | 10.3 cu ft | |
| Ballast dimensions | 2.5k/1.2k Elec | 10 1/2" x 9 1/4" x 15" | 30 lbs |
| | 4k/2.5k Elec | 10 1/2" x 9 1/4" x 15" | 39 lbs |
| | 2.5k Mag | 15" x 14" x 6 3/4" | 66 lbs |
| | 4k Mag | 15 1/4" x 19 1/4" x 25" | 134 lbs |



Operational data

Safety:

A microswitch system prevents the lamp operating if the front section is open or in case of safety glass breakage.

1/2" x 1/2" wire mesh guard and safety glass.

Accessory fitting:

Cast aluminum ears. Spring loaded top catch for retention of lenses and accessories.

Tilt adjustment:

Pivot located at center of gravity for excellent balance and positive locking.

Focus adjustment:

Rear knob for smooth and precise action

Beam adjustment:

By means of a set of 5 beam spreading lenses fitted on color coded holders which can easily rotate through 170°.

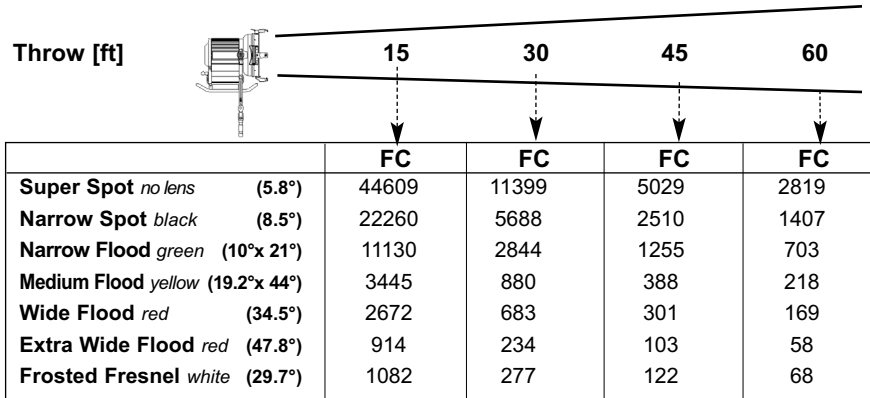
Lamp access:

Hinged lens door allows easy access for lamp replacement



Photometric data

Par 4kW - Typical performance based on 4000W HMI lamp:



Par 2.5kW - Typical performance based on 2500W HMI lamp:

| | FC | FC | FC | FC |
|--|-------|-------|------|------|
| Super Spot <i>no lens</i> (5.8°) | 44167 | 11286 | 4979 | 2791 |
| Narrow Spot <i>black</i> (8.5°) | 18241 | 4661 | 2056 | 1153 |
| Narrow Flood <i>green</i> (10°x 21°) | 7376 | 1885 | 832 | 466 |
| Medium Flood <i>yellow</i> (19.2°x 44°) | 2217 | 567 | 250 | 140 |
| Wide Flood <i>red</i> (34.5°) | 1939 | 495 | 219 | 123 |
| Extra Wide Flood <i>red</i> (47.8°) | 839 | 214 | 95 | 53 |
| Frosted Fresnel <i>white</i> (29.7°) | 663 | 169 | 75 | 42 |

Mechanical data

Paint / Finish

Powder coated epoxy paint with special extra high temperature treatment in critical areas. External textured low gloss finish

Lamp house

Stainless steel with aluminum extrusions and die cast components

Reflector: Large diameter high reflectivity color (99/99 coated)

Mounting

Robust tubular steel yoke with standard 1 1/8" spigot

Environmental Data

Max operating ambient temperature:

110°F

Tilt recommended angle of use:

-60° / 0 / 60°

Strand Lighting Inc

6603 Darin Way, Cypress, CA 90630, USA
Tel: +1 714 230 8200 Fax +1 714 230 8173

Electrical data

Switching:

ON/OFF double pushbuttons from both head and ballast

Ignitor: Small, compact, high voltage, hot restrike

Ignition voltage: 65kV

Cable/connections: Adaptor cable (optional) for use with 2500W magnetic wattage ballasts. Adaptor cable (optional) for use with other commercial ballasts

Ballasts: Electronic flicker-free
2500/1200W or 4000/2500W
Magnetic 2500W or 4000W

Strand Lighting (Canada)

Inc/Eclairages Strand (Canada) Inc

2430 Lucknow Drive No 15
Mississauga Ontario L5S 1V3 Canada
Tel: +1 905 677 7130 Fax: +1 905 677 6859

Ordering information

| Cat. No | Description |
|--------------|--|
| 27576 | PAR 4 / 2.5kW supplied with yoke, 8 leaf rotating barndoor, 50 ft cable, set of 5 lenses, lens case |

Optional accessories

| Cat. No | Description |
|--------------|---|
| 28075 | 8 leaf barndoor |
| 28835 | 50 ft extension cable |
| 28868 | 5 lens set |
| 28808 | 5 lens set + case |
| 28357 | Scrim set (two double scrims, one single scrim, one half double scrim, one half single scrim) |
| 25957 | 2500/1200W electronic ballast |
| 25967 | 4000/2500W electronic ballast |
| 25241 | 2500W magnetic ballast |
| 25251 | 4000W magnetic ballast |
| 28032 | Adaptor cable for 2.5kW magnetic ballast |
| 28812 | Lens case |
| 28821 | Flight case |

Lamp data

HMI/MSR 4000W single ended

| | |
|-----------------------------|---------|
| LCL [in] | 5 1/2 |
| Base | G 38 |
| Lumens | 380,000 |
| Rated life hours [H] | 500 |
| Color temp. [K] | 5600 |

HMI/MSR 2500W single ended

| | |
|-----------------------------|---------|
| LCL [in] | 5" |
| Base | G 38 |
| Lumens | 240,000 |
| Rated life hours [H] | 500 |
| Color temp. [K] | 5600 |



The Company reserves the right to make any variation in design or construction to the equipment described.
© Strand Lighting Ltd. 2002

Strand™, Strand Lighting™, Strand Quartzcolor™ are trademarks of Strand Lighting Limited and Strand Lighting Inc.